

Stainless Steel-Plates

with tapped holes,
for hinges GN 7241, GN 7243, GN 7247

SPECIFICATION

Stainless Steel AISI 304 NI
matte, ground **MT**

INFORMATION

Stainless Steel-Plates with tapped holes GN 7247.4 are designed with appropriate dimensions to be used as accessories for the fastening flanges of multiple-joint hinges GN 7241 (see page), GN 7243 (see page) and GN 7247 (see page).

The Stainless Steel-Plates are fastened from the outside via through-holes in the housing wall or alternatively by welding to the inside of the wall. This results in effective protection against vandalism, and the outsides of the housing remain free of attachments that do not match the design or that should be avoided entirely in the interests of easy cleaning.

They make threaded holes, nuts and washers unnecessary during installation. This eliminates the labor-intensive pre-installation of such parts as well as the need to hold them in place during tightening or loosening. The plate thickness s corresponds to the minimum screw-in depth of thread d_1 , which should be fully achieved.

The holes d_2 receive tensioning or positioning pins, if necessary, making it easy to position the plates and the multiple-joint hinges.

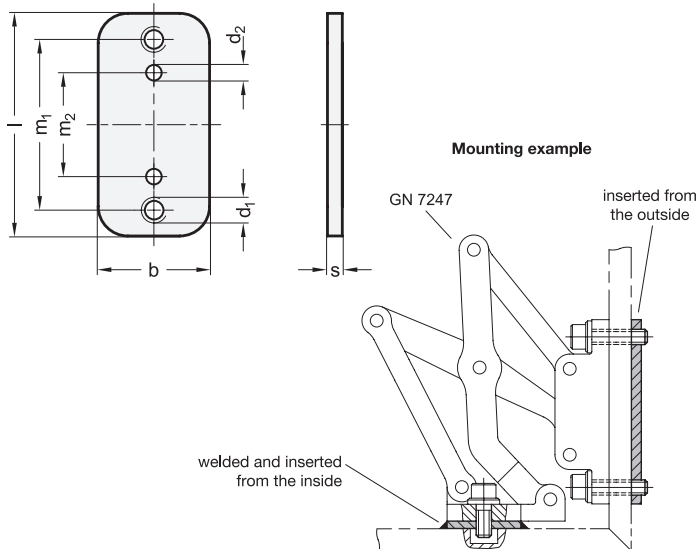


TECHNICAL INFORMATION

- Stainless Steel characteristics (see page A26)

ON REQUEST

- other plate sizes
- other plate geometries



GN 7247.4

STAINLESS STEEL

Description	l	b	d1	d2	m1	m2	s	⚖
GN 7247.4-NI-60-MT	60	30	M 6	4	46	28	4	52
GN 7247.4-NI-75-MT	75	30	M 6	4	61	40	4	66