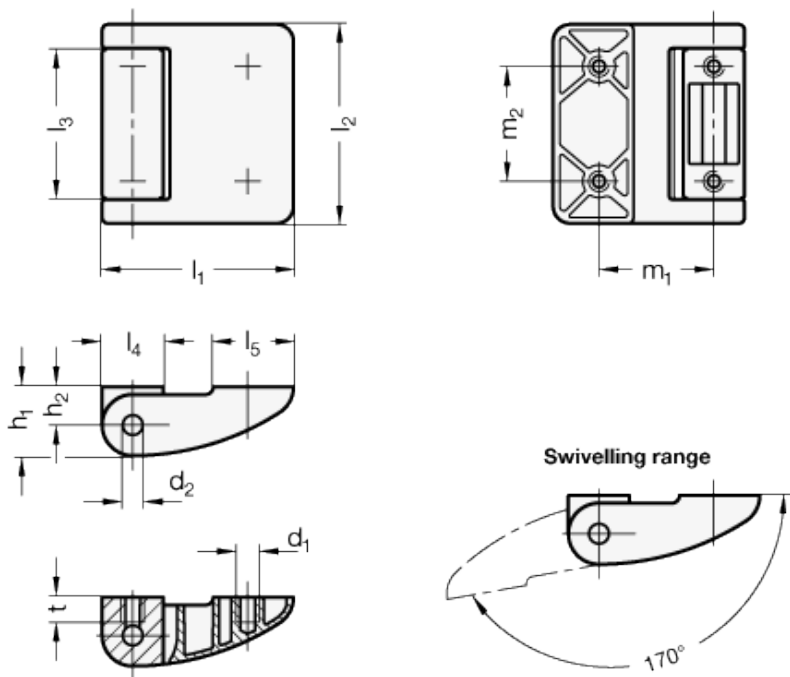


GN 138

Hinges



technical informations

Specification

Type A: 2x2 threaded blind bores.

Zinc die casting ZD

plastic coated

black, RAL 9005, textured finish SW

silver, RAL 9006, textured finish SR

Pin

Stainless Steel

Information

With their attractive design, hinges GN 138 are suitable for use in plant and machinery where a well-designed and stylish appearance is important.

The concealed and tamper-proof mounting from the rear Highlights and enhances the Special appearance of the hinge.

The dimensions l1/l2 and the drill hole spacings m1/m2 match the usual hinges GN 237 and CFM.

Standard Elements	Main dimensions												Weight
Description	l ₁	l ₂	d ₁	d ₂	h ₁	h ₂	l ₃	l ₄	l ₅	m ₁	m ₂	t	g
GN 138-ZD-40-42-A-SW	40	42	M 5	6	14	8	34	12	18	25	25	5	70
GN 138-ZD-50-52-A-SW	50	52	M 6	6	18	10	39	16	21	30	30	6.5	130
GN 138-ZD-60-62-A-SW	60	62	M 6	8	22	12	47	20	24	36	36	7.5	210
GN 138-ZD-40-42-A-SR	40	42	M 5	6	14	8	34	12	18	25	25	5	70
GN 138-ZD-50-52-A-SR	50	52	M 6	6	18	10	39	16	21	30	30	6.5	130
GN 138-ZD-60-62-A-SR	60	62	M 6	8	22	12	47	20	24	36	36	7.5	210



STANDARD MACHINE ELEMENTS WORLDWIDE