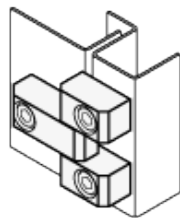
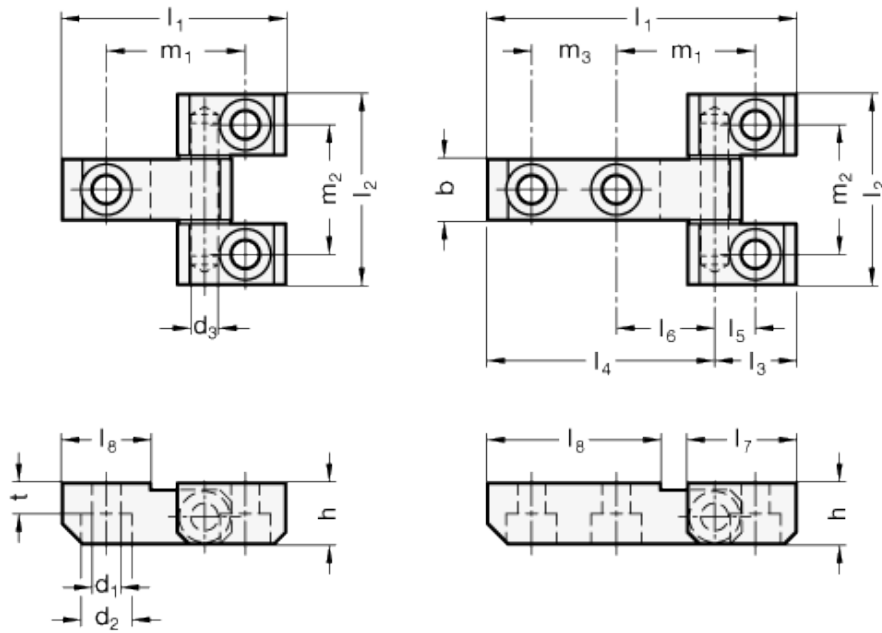


GN 129.3

Hinges



technical informations

Material

Zinc-plated steel, blue passivated.

Pin and Washer

Nickel-plated brass.

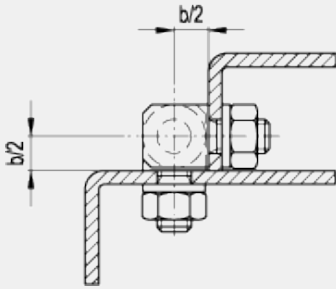
Standard version available

- Type A: Fixing from the front side.

Features and applications

Hinges GN 129.3 are used for doors which are flush with the frame on the outside. Once assembled, they cannot be unhinged. By using cylinder screws DIN 912, they are conveniently fixed using threads on the user side or by using through screws for different clamping thicknesses.

Application example



Standard Elements	Main dimensions																	Weight
Description	l_1	l_2	b	d_1	d_2	d_3	h	l_3	l_4 max.	l_5	l_6 max.	l_7	l_8	m_1	m_2	m_3	t	g
GN 129.3-66-55-A-ST	6	55	18	8.4	15	8	18	24	42	12	29	32	26	41	37	-	9	222
GN 129.3-91-55-A-ST	91	55	18	8.4	15	8	18	24	67	12	29	32	51	41	37	25	9	271



STANDARD MACHINE ELEMENTS WORLDWIDE